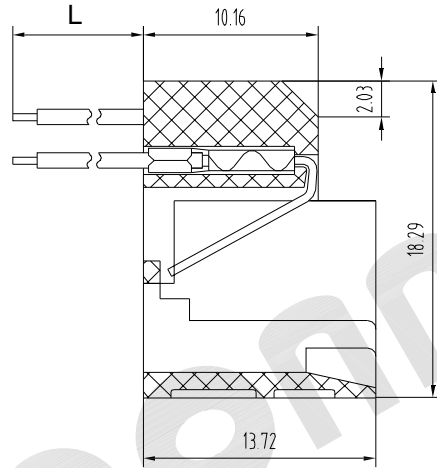
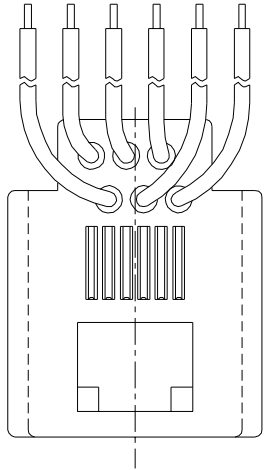


REV.	DESCRIPTION	DRAWN	CHECKED	APPROVED
A	NEW RELEASE	JLZ 03/24/16'		

YELLOW BLUE GREEN BLACK RED WHITE



Material:

Housing Material: ABS (UL94V-0)

Contact Material: Phosphor Bronze, Round PIN 0.46mm

Plating: Gold Plating over Nickel

Terminal: Brass

Wire: UL 1061 26 AWG

Electrical:

Voltage Rating: 125 VAC RMS

Current Rating: 1.5 Amp

Contact Resistance: 30mΩ Max.

Insulation Resistance: 500MΩ Min. @ 500 VDC

Dielectric Withstanding Resistance: 1000 V AC RMS 60Hz, 1Min.

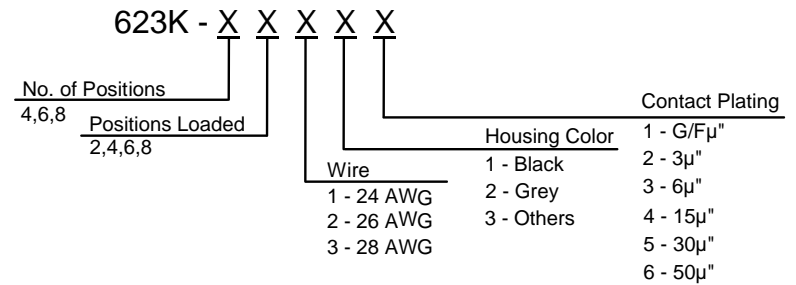
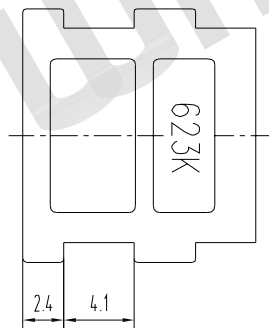
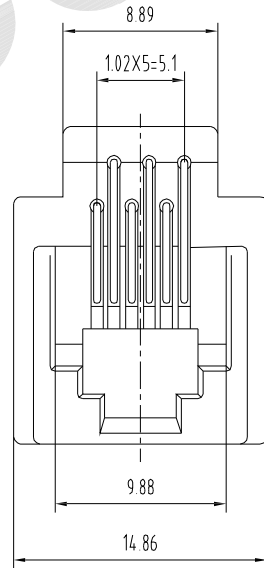
Mechanical:

Durability : 750 Cycles Min.

Environmental:

Storage: 0°C to +70°C

Operation: 0°C to +70°C



GENERAL TOLERANCE		ANGLE TOLERANCE	
X.	±0.60	X.	±5°
.X	±0.38	.X	±3°
.XX	±0.25	.XX	±2°

PROJECTION	TITLE
	623K 6P6C
UNITS	mm
SHEET SIZE	A4
SERIES	623K SERIES

DRAWING TYPE	CUSTOMER
SCALE	1:1 SHEET 1 OF 1
DRAWING NO.	623K-XXXXX

WAYCONN CO.,LTD