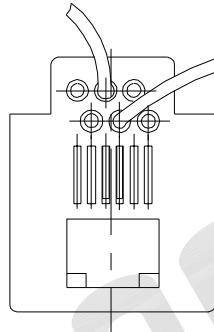
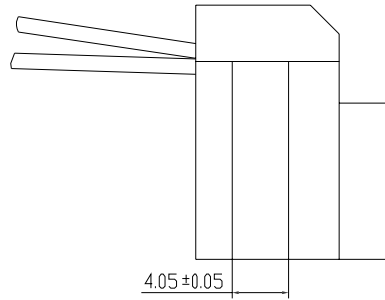


REV.	DESCRIPTION	DRAWN	CHECKED	APPROVED
A	NEW RELEASE	JLZ 03/24/16'	~	

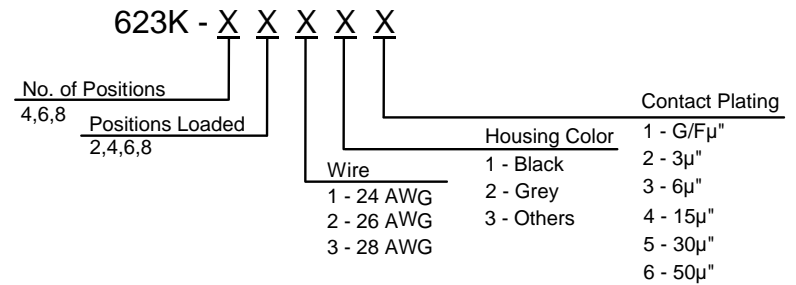
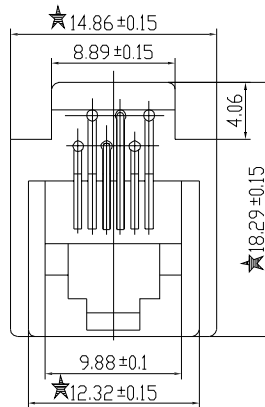
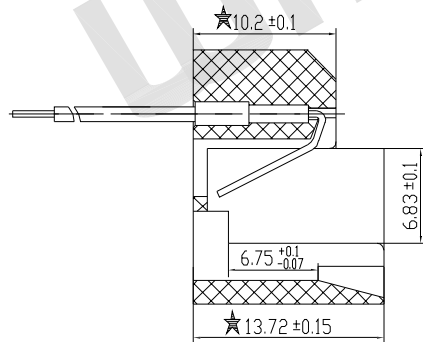


Material:  
Housing Material: ABS (UL94V-0)  
Contact Material: Phosphor Bronze, Round PIN 0.46mm  
Plating: Gold Plating over Nickel  
Terminal: Brass  
Wire: UL 1061 26 AWG

Electrical:  
Voltage Rating: 125 VAC RMS  
Current Rating: 1.5 Amp  
Contact Resistance: 30mΩ Max.  
Insulation Resistance: 500MΩ Min. @ 500 VDC  
Dielectric Withstanding Resistance: 1000 V AC RMS 60Hz, 1Min.

Mechanical:  
Durability : 750 Cycles Min.

Environmental:  
Storage: 0°C to +70°C  
Operation: 0°C to +70°C



GENERAL TOLERANCE		ANGLE TOLERANCE	
X.	±0.60	X.	±5°
.X	±0.38	.X	±3°
.XX	±0.25	.XX	±2°

PROJECTION	TITLE
mm	623K 6P2C
SHEET SIZE	SERIES 623K SERIES

DRAWING TYPE	CUSTOMER		
SCALE	1:1	SHEET	1 OF 1
DRAWING NO.	623K-XXXXX		

**WAYCONN CO.,LTD**