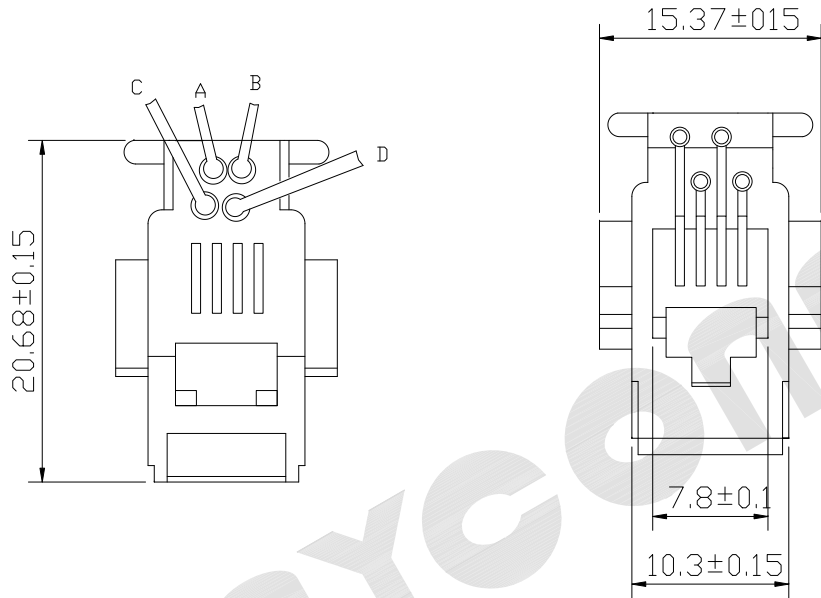


REV.	DESCRIPTION	DRAWN	CHECKED	APPROVED
A	NEW RELEASE	JLZ 03/24/16'	~	

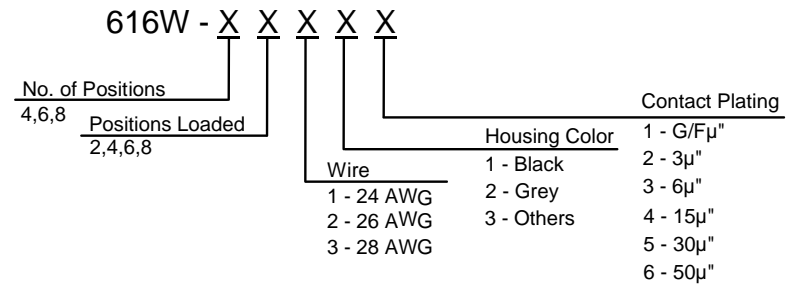
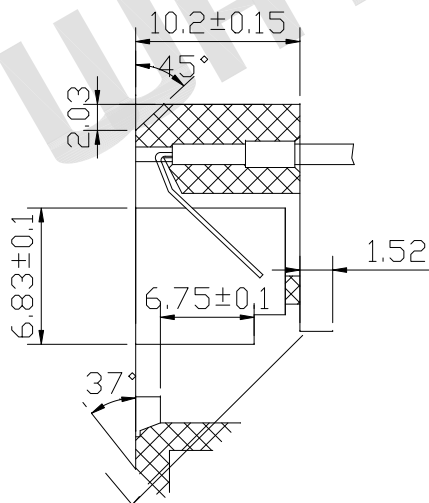


Material:
Housing Material: ABS (UL94V-0)
Contact Material: Phosphor Bronze, Round PIN 0.46mm
Plating: Gold Plating over Nickel
Terminal: Brass
Wire: UL 1061 26 AWG

Electrical:
Voltage Rating: 125 VAC RMS
Current Rating: 1.5 Amp
Contact Resistance: 30mΩ Max.
Insulation Resistance: 500MΩ Min. @ 500 VDC
Dielectric Withstanding Resistance: 1000 V AC RMS 60Hz, 1Min.

Mechanical:
Durability : 750 Cycles Min.

Environmental:
Storage: 0°C to +70°C
Operation: 0°C to +70°C



GENERAL TOLERANCE		ANGLE TOLERANCE		PROJECTION	TITLE
X.	±0.60	X.	±5°	mm	616W 4P4C
.X	±0.38	.X	±3°		
.XX	±0.25	.XX	±2°		
DRAWING TYPE		CUSTOMER		SHEET SIZE	SERIES
SCALE		1:1	SHEET	A4	616MS SERIES
DRAWING NO.		616W-XXXXX			

WAYCONN CO.,LTD