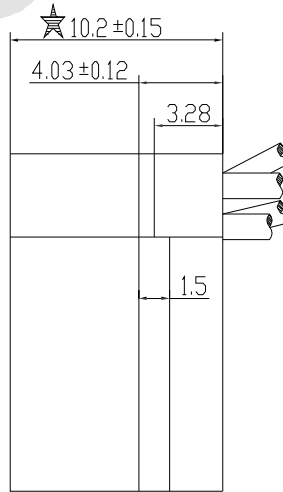
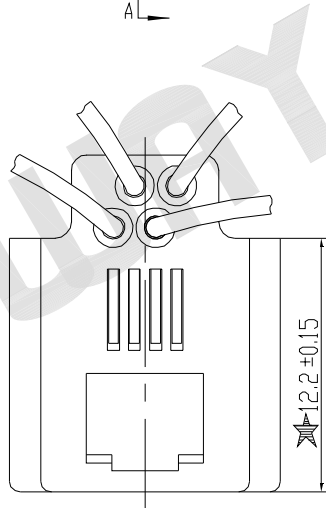
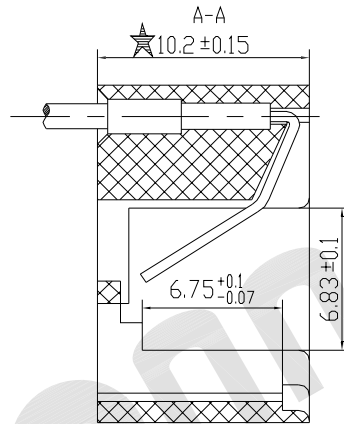
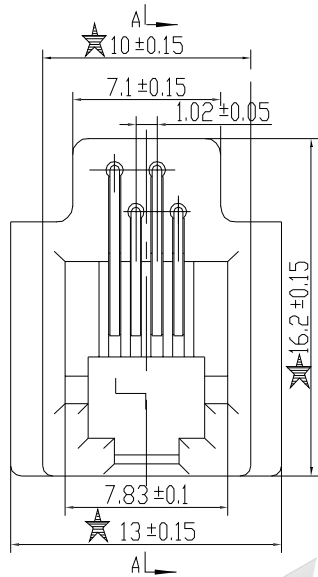


REV.	DESCRIPTION	DRAWN	CHECKED	APPROVED
A	NEW RELEASE	JLZ 03/24/16'		



**Material:**

Housing Material: ABS (UL94V-0)

Contact Material: Phosphor Bronze, Round PIN 0.46mm

Plating: Gold Plating over Nickel

Terminal: Brass

Wire: UL 1061 26 AWG

**Electrical:**

Voltage Rating: 125 VAC RMS

Current Rating: 1.5 Amp

Contact Resistance: 30mΩ Max.

Insulation Resistance: 500MΩ Min. @ 500 VDC

Dielectric Withstanding Resistance: 1000 V AC RMS 60Hz, 1Min.

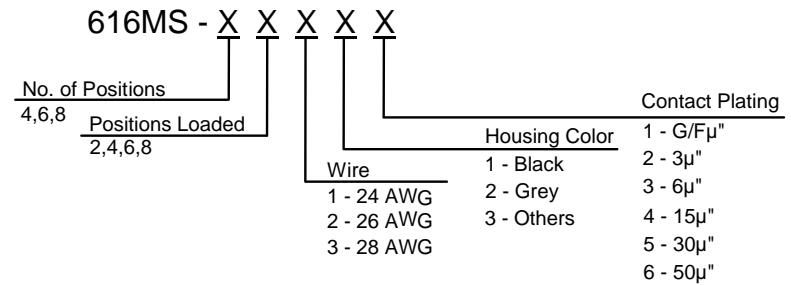
**Mechanical:**

Durability : 750 Cycles Min.

**Environmental:**

Storage: 0°C to +70°C

Operation: 0°C to +70°C



GENERAL TOLERANCE		ANGLE TOLERANCE		PROJECTION		TITLE
X.	±0.60	X.	±5°	UNITS	mm	616MS 4P4C
.X	±0.38	.X	±3°	SHEET SIZE	A4	SERIES 616MS SERIES
.XX	±0.25	.XX	±2°	<b>WAYCONN CO.,LTD</b>		
DRAWING TYPE		CUSTOMER				
SCALE	1:1	SHEET	1 OF 1			
DRAWING NO.		616MS-XXXXX				