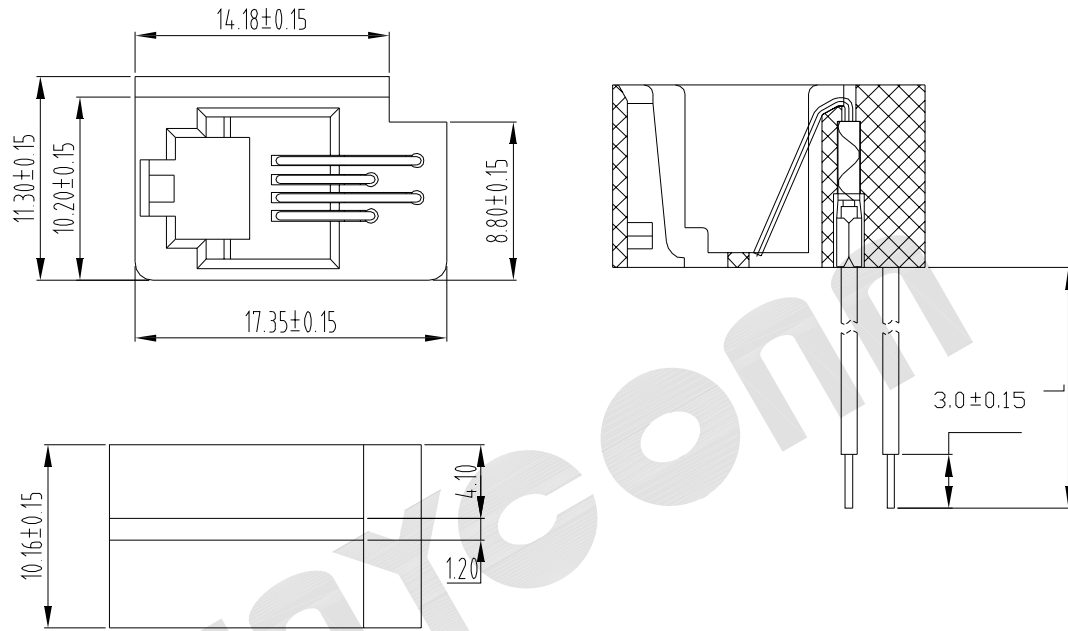


REV.	DESCRIPTION	DRAWN	CHECKED	APPROVED
A	NEW RELEASE	JLZ 03/24/16'	~	



Material:

Housing Material: ABS (UL94V-0)
 Contact Material: Phosphor Bronze, Round PIN 0.46mm
 Plating: Gold Plating over Nickel
 Terminal: Brass
 Wire: UL 1061 26 AWG

Electrical:

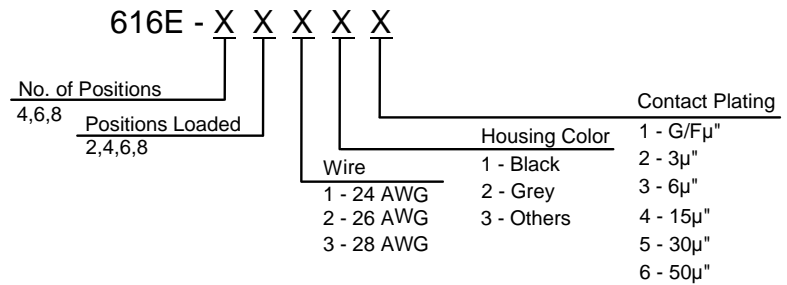
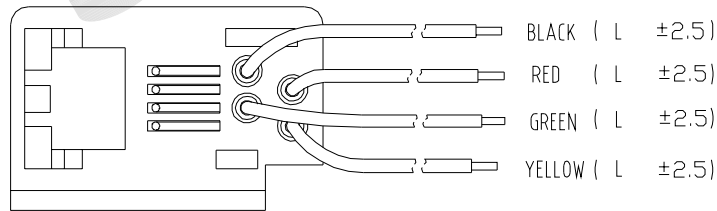
Voltage Rating: 125 VAC RMS
 Current Rating: 1.5 Amp
 Contact Resistance: 30mΩ Max.
 Insulation Resistance: 500MΩ Min. @ 500 VDC
 Dielectric Withstanding Resistance: 1000 V AC RMS 60Hz, 1Min.

Mechanical:

Durability : 750 Cycles Min.

Environmental:

Storage: 0°C to +70°C
 Operation: 0°C to +70°C



GENERAL TOLERANCE		ANGLE TOLERANCE		PROJECTION	TITLE
X.	±0.60	X.	±5°		616E Series - Wired Modular Jack with Panel / flange
.X	±0.38	.X	±3°	mm	
.XX	±0.25	.XX	±2°		SERIES 616E SERIES
DRAWING TYPE		CUSTOMER		WAYCONN CO.,LTD	
SCALE		1:1	SHEET 1 OF 1		
DRAWING NO.		616E - XXXXX			