

REV.	DESCRIPTION	DRAWN	CHECKED	APPROVED
A	NEW RELEASE	JLZ 03/24/16'	~	

Material:

Housing Material: PBT, PA66, PA46, High Temp Nylon UL94V-0, Black and Grey Color

Contact Material: Phosphor Bronze 0.46mm, Round PIN

Plating: Gold Plating over Nickel

Electrical:

Voltage Rating: 125 V AC RMS

Current Rating: 1.5 Amp

Contact Resistance: 30mΩ Max.

Insulation Resistance: 500MΩ Min. @ 500 VDC

Dielectric Withstanding Resistance: 1000 VAC RMS 60Hz, 1 Min.

Mechanical:

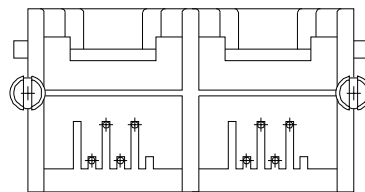
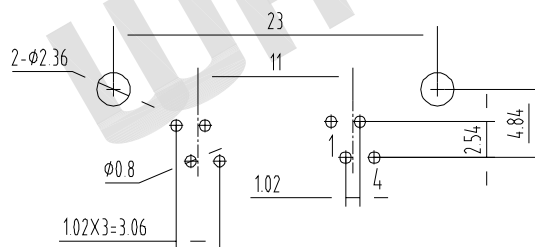
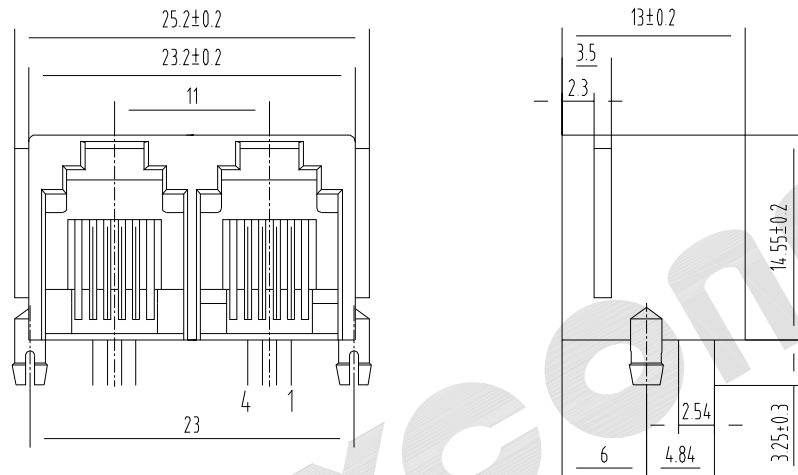
Durability : 750 Cycles Min.

PCB Retention Force: 10 LBS Min.

Environmental:

Storage Temperature : -40°C to +85°C

Operation Temperature: -40°C to +85°C



MJED - X X X X X X X X

No. of Positions	4,6	Positions Loaded	2,4,6	Panel Stop	0 - w/o Panel Stop 1 - w/ Panel Stop	Ports	N - 1 X N	Insulator Material	1 - PBT 2 - PA66 3 - PA46	Housing Color	1 - Black 2 - Grey 3 - Others	Gold Plating	1 - G/Fμ" 2 - 3μ" 3 - 6μ" 4 - 15μ" 5 - 30μ" 6 - 50μ"
Length	1 - L=13mm 2 - L=15mm												

PC Board Layout
Component Side Shown

GENERAL TOLERANCE		ANGLE TOLERANCE		PROJECTION		TITLE	RJ11 1X2, PCB SOCKET, 6P4C, RIGHT ANGLE		
X.	±0.60	X.	±5°	UNITS	mm	SHEET SIZE	A4	SERIES	MJED SERIES
.X	±0.38	.X	±3°	WAYCONN CO.,LTD					
.XX	±0.25	.XX	±2°						
DRAWING TYPE		CUSTOMER							
SCALE	1:1	SHEET	1 OF 1						
DRAWING NO.	MJED - XXXXXXXX								