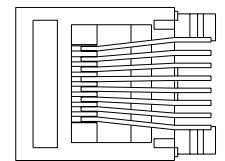
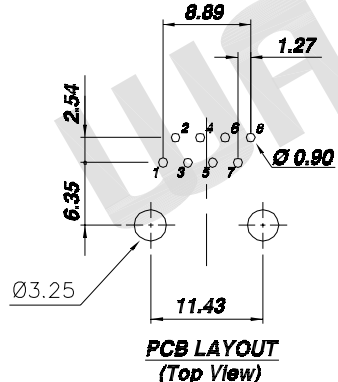
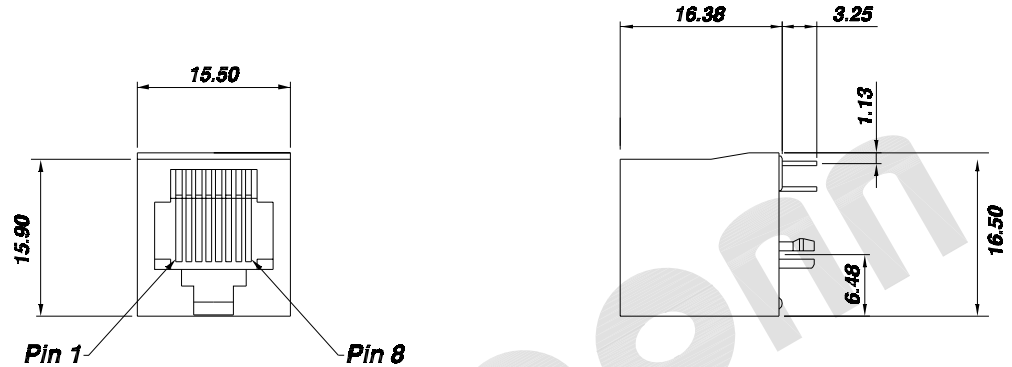


REV.	DESCRIPTION	DRAWN	CHECKED	APPROVED
A	NEW RELEASE	JLZ 03/24/16'	~	

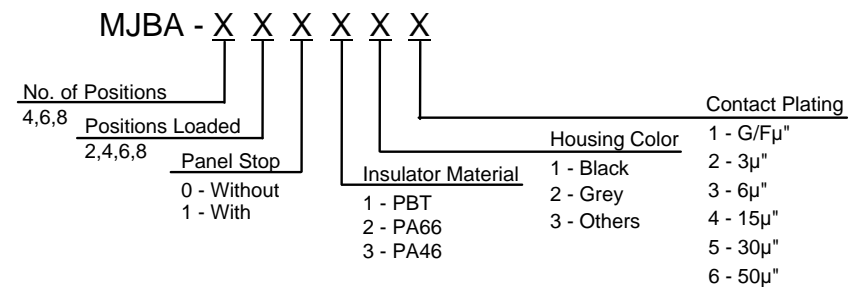


Material:
Housing Material: PBT, PA66, PA46, High Temp Nylon UL94V-0, Black and Grey Color
Contact Material: Phosphor Bronze 0.46mm, Round PIN
Plating: Gold Plating over Nickel

Electrical:
Voltage Rating: 125 V AC RMS
Current Rating: 1.5 Amp
Contact Resistance: 30mΩ Max.
Insulation Resistance: 500MΩ Min. @ 500 VDC
Dielectric Withstanding Resistance: 1000 VAC RMS 60Hz, 1 Min.

Mechanical:
Durability : 750 Cycles Min.
PCB Retention Force: 10 LBS Min.

Environmental:
Storage Temperature : -40°C to +85°C
Operation Temperature: -40°C to +85°C



GENERAL TOLERANCE		ANGLE TOLERANCE		PROJECTION		TITLE	RJ45 Vertical Mount 8P8C	
X.	±0.60	X.	±5°	UNITS	mm	Unshielded, Without Panel Stop		
.X	±0.38	.X	±3°	SHEET SIZE	A4	SERIES	MJBA SERIES	
.XX	±0.25	.XX	±2°	WAYCONN CO.,LTD				
DRAWING TYPE		CUSTOMER						
SCALE	1:1	SHEET	1 OF 1					
DRAWING NO.		MJBA - XXXXXX						