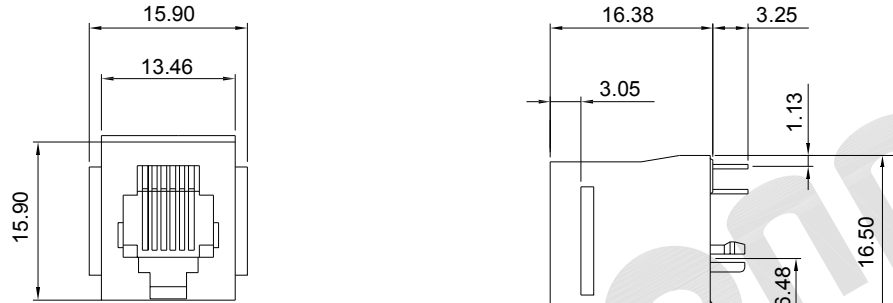


REV.	DESCRIPTION	DRAWN	CHECKED	APPROVED
A	NEW RELEASE	JLZ 03/24/16'	~	



Material:

Housing Material: PBT, PA66, PA46, High Temp Nylon UL94V-0, Black and Grey Color

Contact Material: Phosphor Bronze 0.46mm, Round PIN

Plating: Gold Plating over Nickel

Electrical:

Voltage Rating: 125 V AC RMS

Current Rating: 1.5 Amp

Contact Resistance: 30mΩ Max.

Insulation Resistance: 500MΩ Min. @ 500 VDC

Dielectric Withstanding Resistance: 1000 VAC RMS 60Hz, 1 Min.

Mechanical:

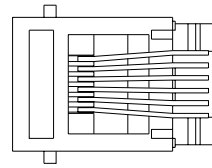
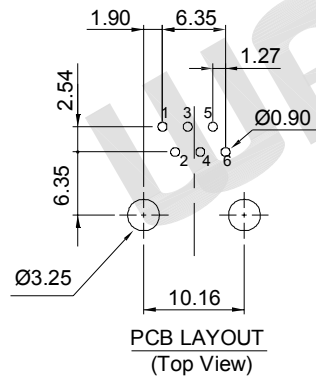
Durability : 750 Cycles Min.

PCB Retention Force: 10 LBS Min.

Environmental:

Storage Temperature : -40°C to +85°C

Operation Temperature: -40°C to +85°C



MJBA - X X X X X X

No. of Positions						
4,6	Positions Loaded					Contact Plating
2,4,6	Panel Stop					Housing Color
	0 - Without					1 - Black
	1 - With					2 - Grey
						3 - Others
						Insulator Material
						1 - PBT
						2 - PA66
						3 - PA46
						Contact Plating
						1 - G/Fμ"
						2 - 3μ"
						3 - 6μ"
						4 - 15μ"
						5 - 30μ"
						6 - 50μ"

GENERAL TOLERANCE		ANGLE TOLERANCE		PROJECTION		TITLE	Top Entry, Unshielded
X.	±0.60	X.	±5°	UNITS	mm	RJ11 6 Positions, With Panel Stop	
.X	±0.38	.X	±3°	SHEET SIZE	A4	SERIES	MJBA SERIES
.XX	±0.25	.XX	±2°	WAYCONN CO.,LTD			
DRAWING TYPE		CUSTOMER					
SCALE	1:1	SHEET	1 OF 1				
DRAWING NO.		MJBA - XXXXXX					